

SDA 4
 SCL 3 J5
 GND 2 I2C spare
 VIN 1

SDA 4
 SCL 3 J3
 GND 2 BME280
 VIN 1

SCK 4
 MISO 3 J2
 MOSI 2 SD Card
 SD_CS 1

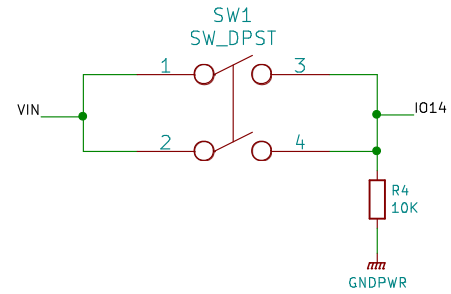
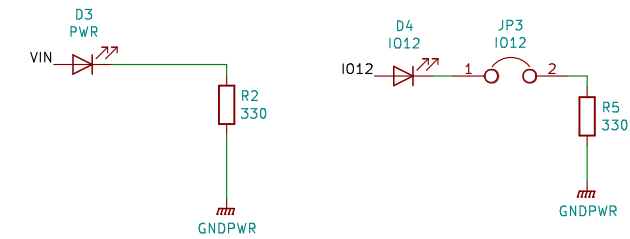
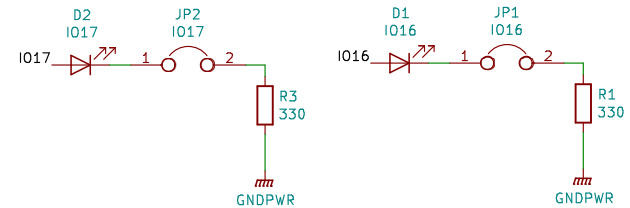
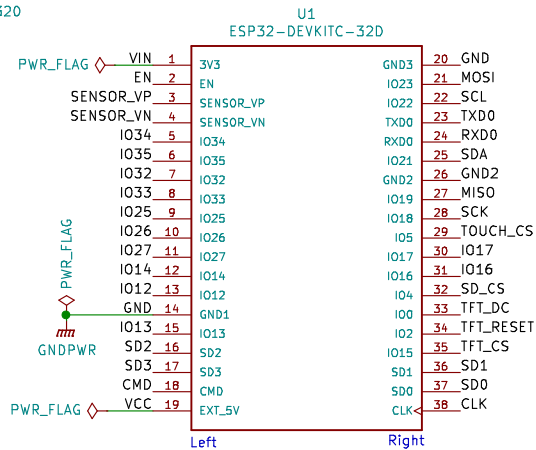
J6
 Left devkit header
 19 VIN
 18 EN
 17 SENSOR_VP
 16 SENSOR_VN
 15 IO34
 14 IO35
 13 IO32
 12 IO33
 11 IO25
 10 IO26
 9 IO27
 8 IO14
 7 IO12
 6 GND
 5 IO13
 4 SD2
 3 SD3
 2 CMD
 1 VCC

2.8" TFT SPI with touch 240x320

J4
 GPIO
 1 VIN
 2 VCC
 3 GND
 4 IO35
 5 IO34
 6 IO33
 7 IO32
 8 IO27
 9 IO26
 10 IO25
 11 IO17
 12 IO16
 13 IO14
 14 IO12

J1
 1 TOUCH_IRQ
 2 MISO
 3 MOSI
 4 TOUCH_CS
 5 SCK
 6 MISO
 7 VCC
 8 SCK
 9 MOSI
 10 TFT_DC
 11 TFT_RESET
 12 TFT_CS
 13 GND
 14 VCC

J7
 Right devkit header
 19 GND
 18 MOSI
 17 SCL
 16 TXD0
 15 RXD0
 14 SDA
 13 GND2
 12 MISO
 11 SCK
 10 TOUCH_CS
 9 IO17
 8 IO16
 7 SD_CS
 6 TFT_DC
 5 TFT_RESET
 4 TFT_CS
 3 SD1
 2 SD0
 1 CLK



Includes BME280 sensor
 Includes Touch
 Includes TFT display with the ILI9341 controller
 Includes SD Card module
Tech Explorations

Sheet: /
 File: ESP32 with 2.8" TFT 240x320 touch screen and BME280 available GPIOs v2.sch

Title: ESP32 Dev Kit with 2.8" touch display and BME280 sensor

| | | |
|---|------------------|----------|
| Size: A4 | Date: 2019-02-18 | Rev: 1.3 |
| KiCad E.D.A. kicad 5.1.1-8be2ce780ubuntu18.04.1 | | Id: 1/1 |