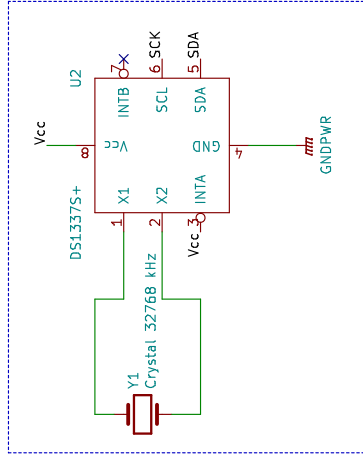
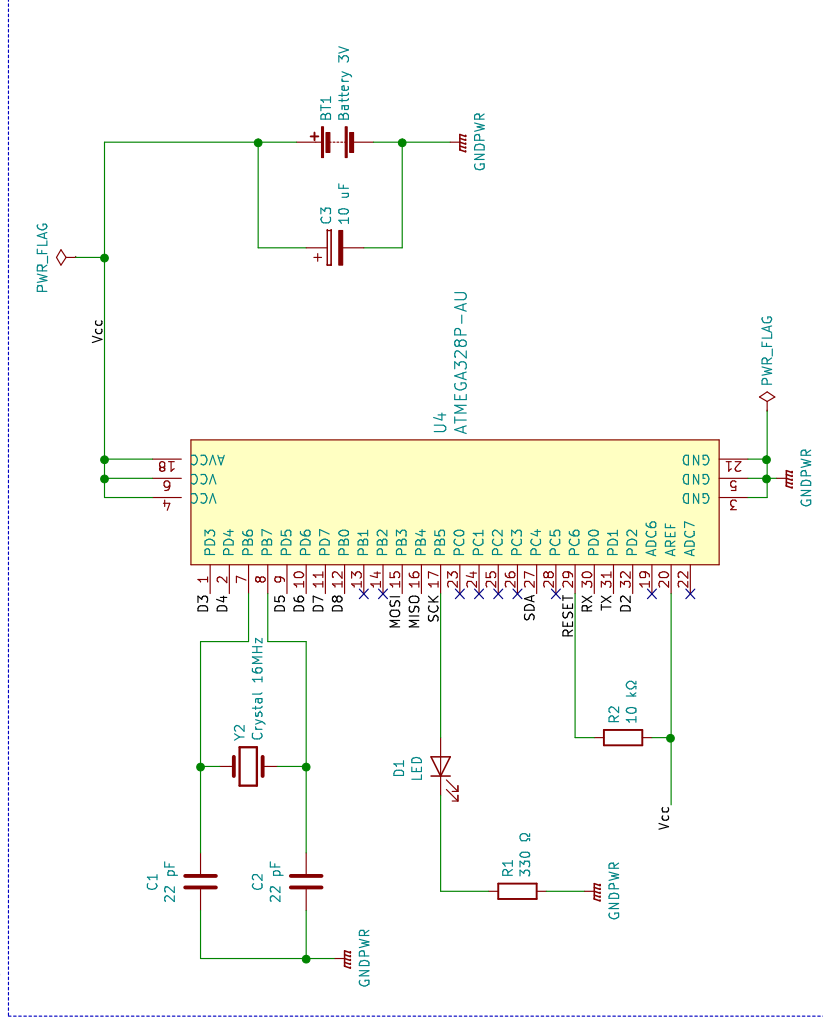


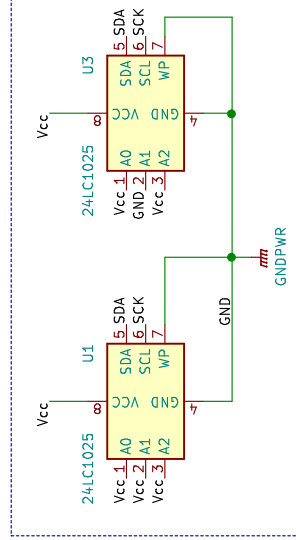
N1 - Clock/Calendar



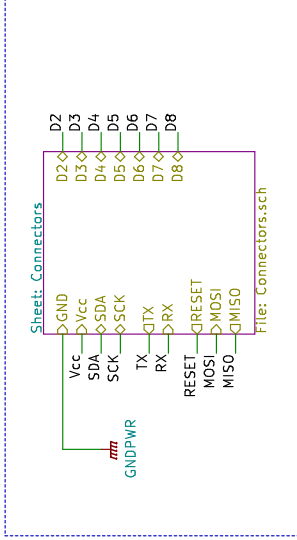
N2 - Atmega328P-PU with oscillator and battery



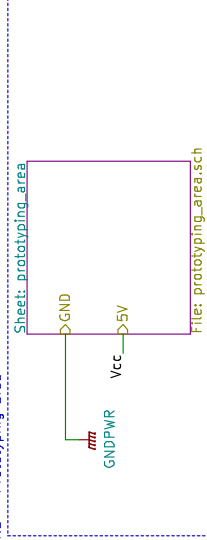
N3 - EEPROM



N4 - Connectors sheet

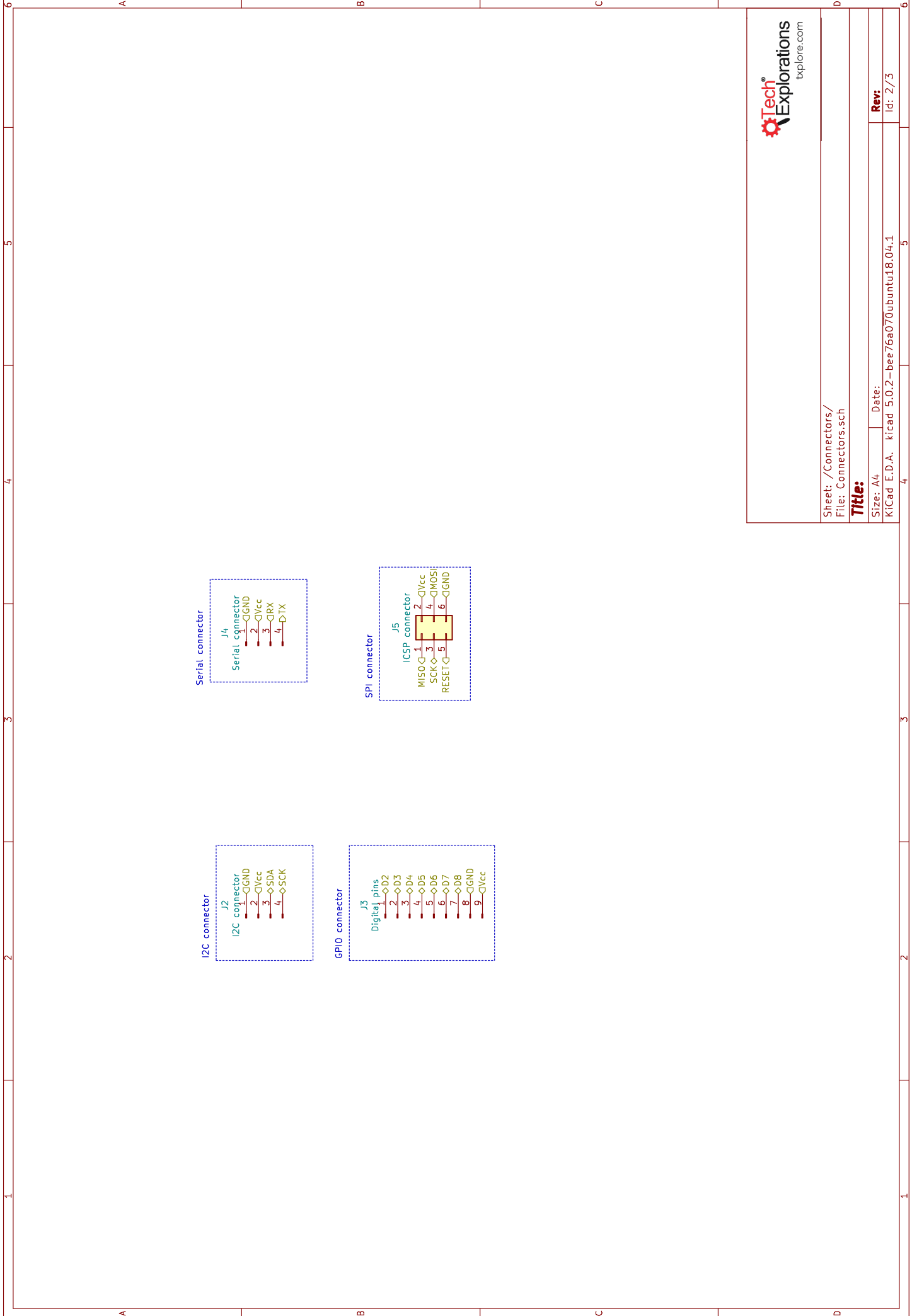


N5 - Prototyping area



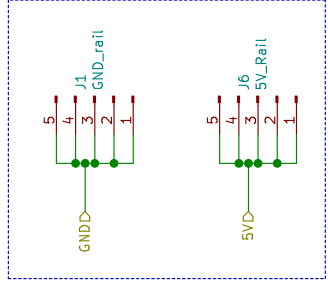
Designed by Peter  
**Tech Explorations**  
 Sheet: /  
 File: BACEE.sch

<b>Title: BACEE: Battery powered Arduino clone with Extended EEPROM</b>	
Size: A4	Date: 2018-08-20
Rev: 2	
Id: 1/3	
KiCad E.D.A. kicad 5.0.2-Bee76a070ubuntui8.04.1	

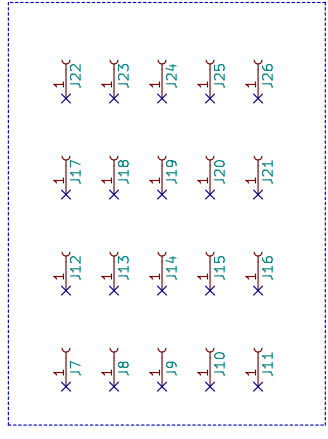


**Title:**

N6 - Power rails



N7 - Prototyping pads



Sheet: /prototyping\_area/  
 File: prototyping\_area.sch

**Title:**

Size: A4 Date:  
 KICad: E.D.A. kicad 5.0.2-bee76a070ubuntu18.04.1  
 Id: 3/3